

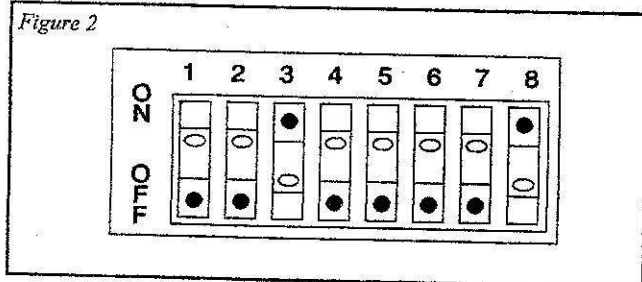
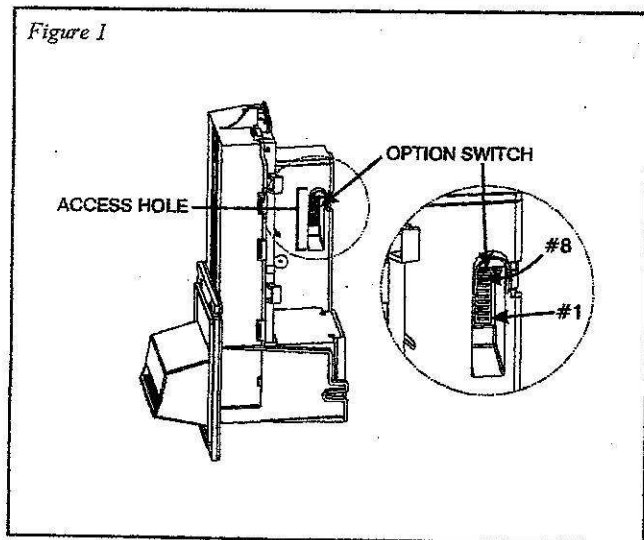
## SECTION 2: INSTALLATION

### OPTION SWITCH SETTINGS

MAG bill acceptors contain an option switch bank on the main logic board which allows the unit to be customized to the requirements of the individual account. This switch bank is factory set with switch 3 and 8 in the ON position and 1, 2, 4, 5, 6, and 7 in the OFF position.

#### Setting Option Switches (see Figure 1)

Remove power from the bill acceptor. Remove the bill box. Located on the side of the logic board cover is the option switch access hole. Insert a small screwdriver through the access hole to set the option switches as desired (see Figure 2). Reinstall the bill box. Apply power and test for proper operation.



### MAG\*\*B Option Switch Settings (see Figure 2)

SWITCH	ON	OFF
1	High Security	Standard Acceptance
2	Accepts bills in one directions only (face up, green seal first)	Accepts bills in both directions (face up)
3	Standard credit pulse 150ms on 150ms off	Short credit pulse 50 ms on 50 ms off
4	\$20 Accept	\$20 Reject
5	\$10 Accept	\$10 Reject
6	\$5 Accept	\$5 Reject
7	\$2 Accept	\$2 Reject
8	\$1 Accept	\$1 Reject (see note)

**NOTE:** The 407982 logic board with software 67090 will accept \$1.00 bills with Switch 8 "OFF", if no other bills are enabled. This is the maximum accept mode.

If however, another bill switch is "ON", then \$1.00 bills will be rejected if Switch 8 is "OFF".

### MAG\*\*SA Option Switch Settings (see Figure 2)

SWITCH	ON	OFF
1	High Security	Standard Acceptance
2	Accepts bills in one directions only (face up, green seal first)	Accepts bills in both directions (face up)
3	Serial or Parallel Interface	Pulse Interface
4	\$20 Accept	\$20 Reject
5	\$10 Accept	\$10 Reject
6	\$5 Accept	\$5 Reject
7	\$2 Accept	\$2 Reject
8	\$1 Accept	\$1 Reject

### INSTALLING THE BILL ACCEPTOR

1. Remove power from the vending machine.
2. Set the bill acceptor option switches as desired.
3. Connect the bill acceptor harness to the mating harness in the vending machine.
4. Mount the bill acceptor according to the instructions found in the vending machine manual or appropriate kit literature.

**NOTE:** Ensure bill acceptor is free of all obstructions

5. Load the vending machine with product and fill the coin changer with change.
6. Apply power to the vending machine.
7. Test for proper operation.